

**⚠ WARNING**

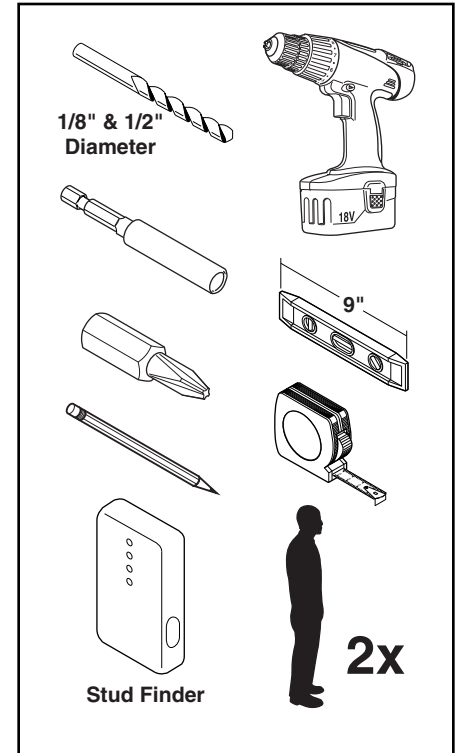
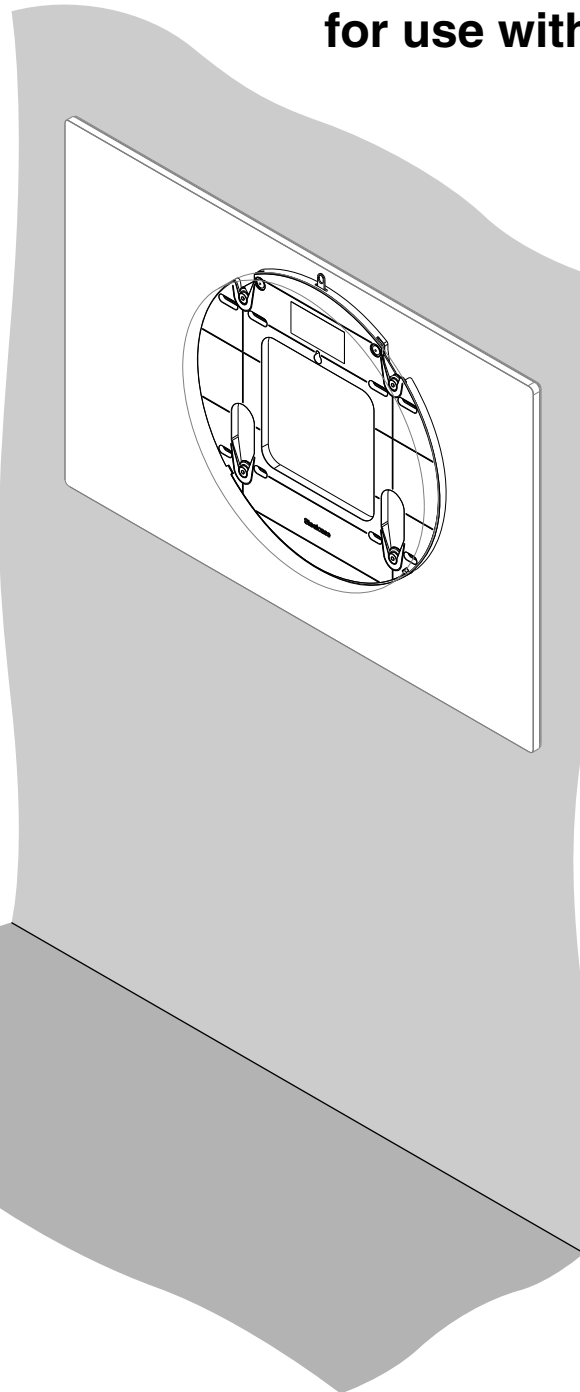


**CRUSH HAZARD!  
FAILURE TO PROPERLY  
SECURE CABINET COULD  
RESULT IN PERSONAL INJURY**

**Read the entire assembly direction  
before beginning installation.**

Building construction varies greatly. The Building's Engineer of Record is responsible for the design of building walls which the cabinets are attached to and must verify the adequacy of the mounting hardware, even if provided by Steelcase.

The building owner or designated agent is responsible for verifying that the installation is in compliance with all local codes and regulations.



If you have a problem, question, or request, call your local dealer, or Steelcase Line 1 at **888.STEELCASE** (888.783.3522) for immediate action by people who want to help you.

(Outside the U.S.A., Canada, Mexico, Puerto Rico, and the U.S. Virgin Islands, call: 1.616.247.2500) Or visit our website: [www.steelcase.com](http://www.steelcase.com)

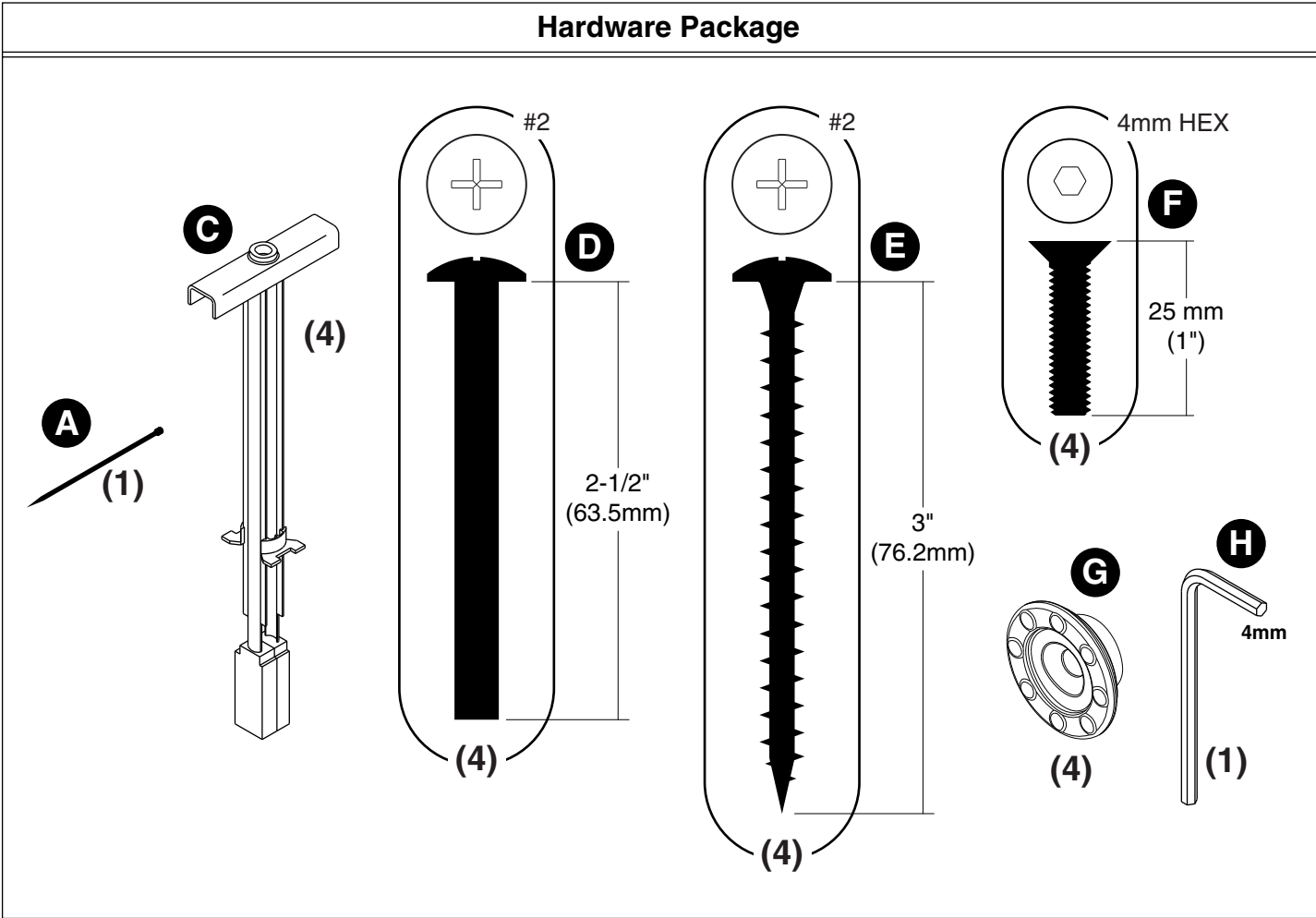
© 2018 Steelcase Inc.  
Grand Rapids, MI 49501  
U.S.A.

Printed in U.S.A.



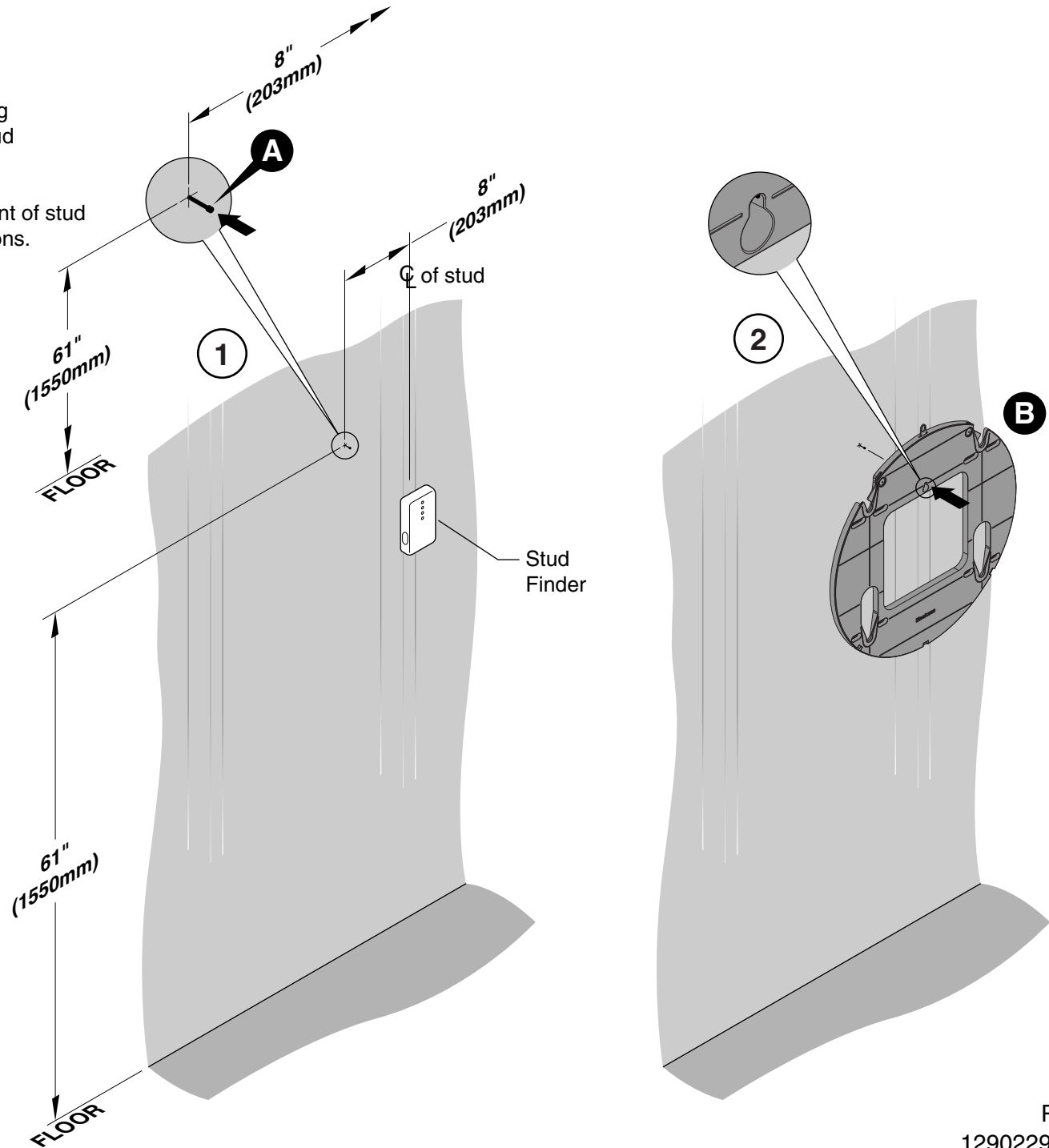
1290229001

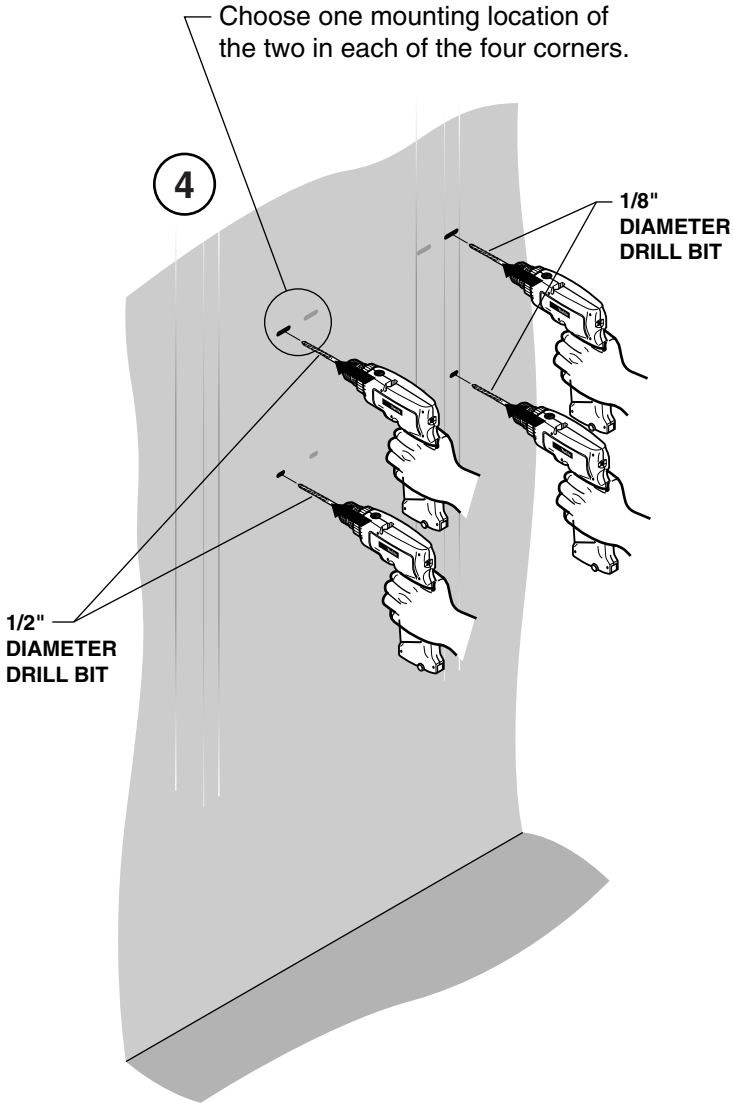
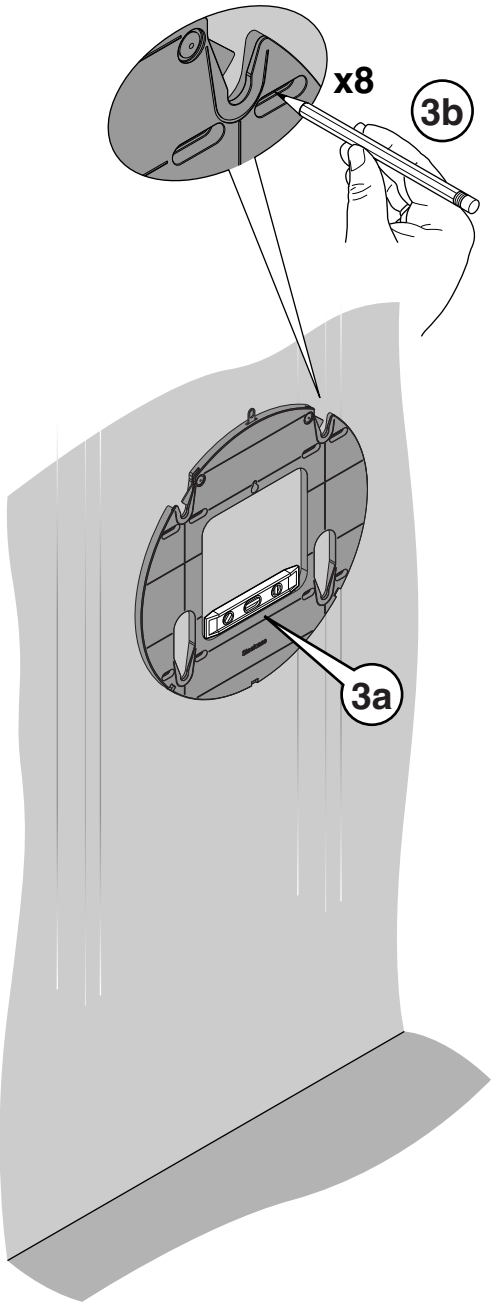
Components:



For the example shown, we are mounting one side of the single wall mount to a stud and the other side with drywall anchors.

Your installation may vary with the amount of stud mount locations or drywall anchor locations.





Hardware is to be specified/verified by the building's Engineer of Record (EOR) or Local building official/Authority Having Jurisdiction (AHJ).

Use the following guidelines to determine proper mounting requirements particular to your type of wall construction:

## Drywall or Plastered Wall

(wood or metal studs)

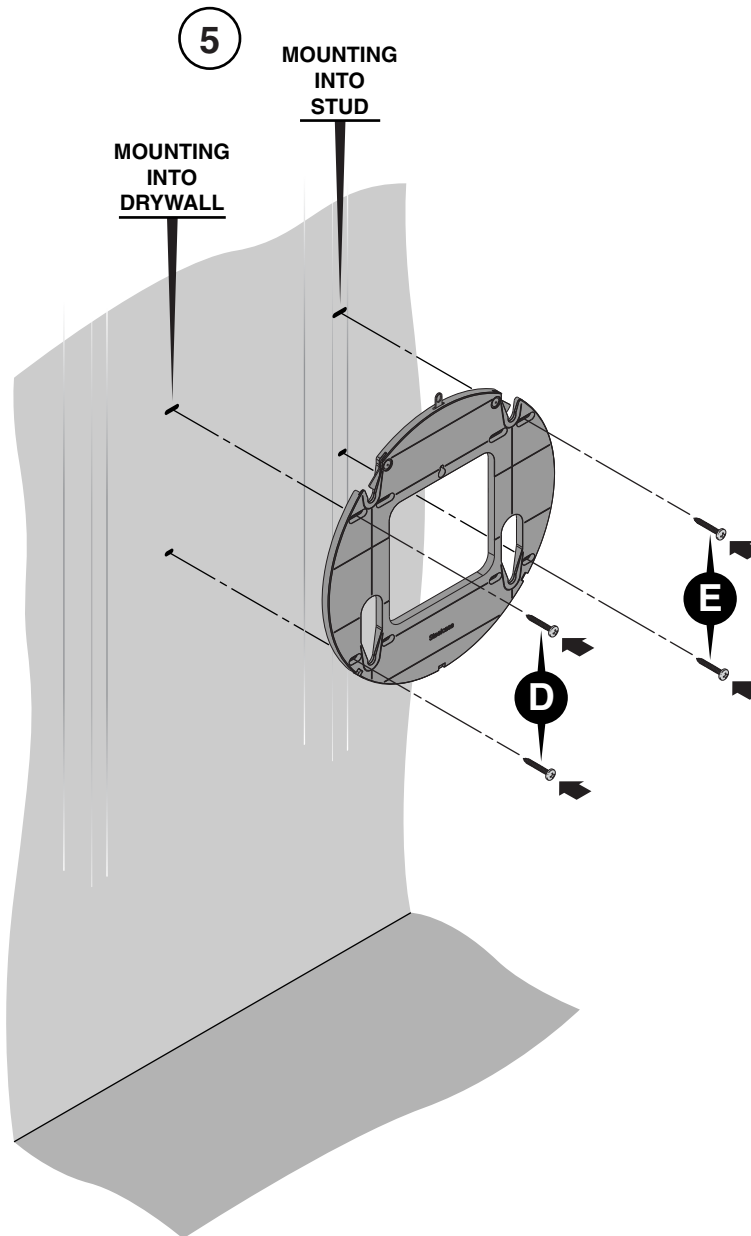
- Drywall must be at least 5/8" thick and attached securely to studs with screws.
- Wood studs must be nominal 2 x 4 construction.
- Steel studs must be at least 26 gauge or thicker.
- Studs must not exceed 24" on center (maximum).
- When securing the mounting disc to drywall using toggler brand type BA 1/4-20 hollow wall fasteners and 1/4-20 x 2-1/2" pan head machine screws provided. Drill 1/2" diameter clearance hole each location.
- When attaching to wood studs, secure mounting disc using 1/4 x 3" pan head wood screws provided. Drill 1/8" diameter pilot hole at each location.

## Concrete or Block Wall Installation

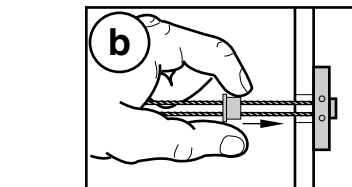
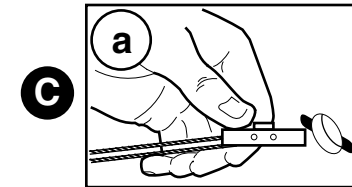
- Plastic wall anchors are recommended ("Expandet" brand or equivalent) to secure wall mounting channels to the wall (not provided).

## Steel Wall Installation

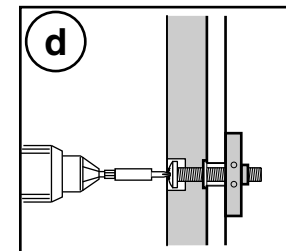
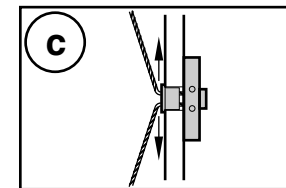
- Please refer to manufacturers recommendations for appropriate structural mounting locations. Punch and drill holes in wall. Secure mounting disc to wall using appropriate fasteners (not provided).
- Two (2) people are required to safely lift into position and hang the mounting disc.



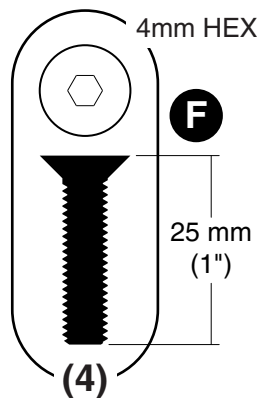
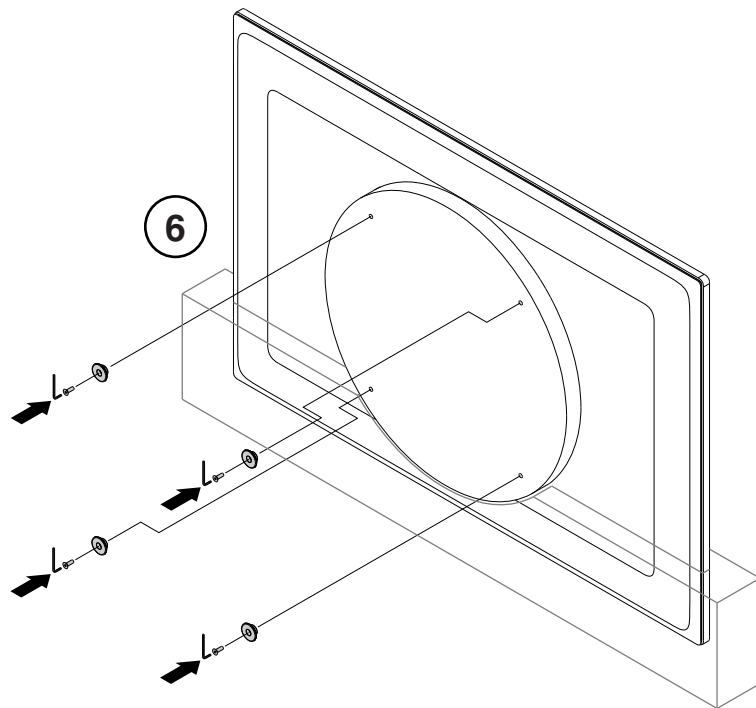
## Installing the toggle bolt anchor into drywall



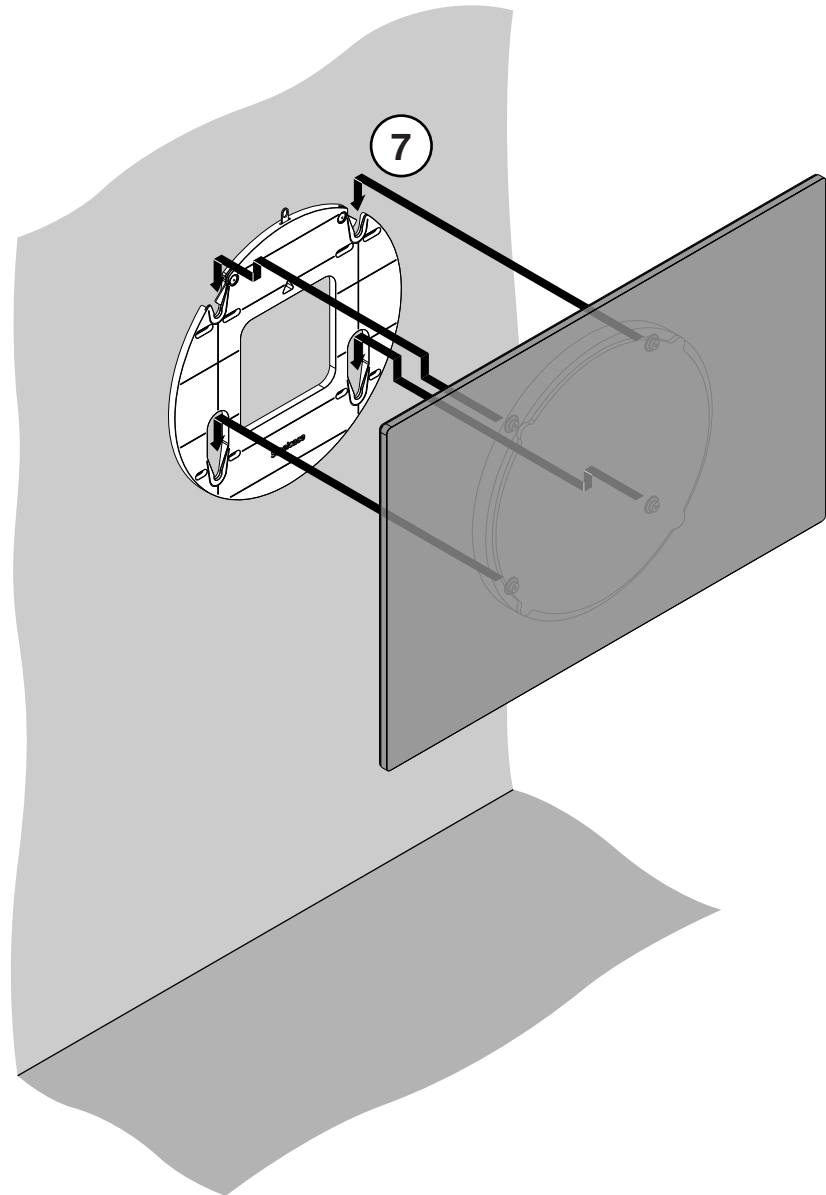
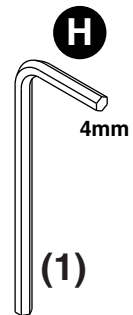
**NOTE: DO NOT STRESS OR PULL LEGS AT AN ANGLE TO AVOID PREMATURE BREAKOFF.**



**8.** After step 7 has been completed, lift up on the monitor to ensure pucks are engaged and secured into the pockets.



**(4)**  
40 in-lbs  
(4.52 Nm)



## Removal of Monitor

**1.** Lift up on top latch (1a) and slide in either direction (1b) to hold latch in place. This action will move the tabs out of the way (1c) for removal.

**2.** Lift monitor up and out.

